

Standard brackets can be used for ceiling or angled wall mounting.



Attractive hexagonal shaped grille.



*All measurements are in [mm]

Instantaneous, carbon-filament element. High heat output.

The new HEATSTRIP Intense wall/ceiling mounted electric infra-red heater is an attractive outdoor heating solution for high output instant heat.

FEATURES

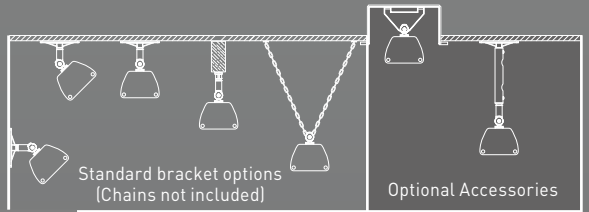
- Easy DIY installation with brackets included
- Ideal for undercover protected and semi- exposed outdoor locations
- High quality construction with a new hexagonal grille
- Carbon filament infra-red heating element provides high performance instant heat
- 2 year residential and 1 year commercial warranty.

Heatstrip INTENSE Heating Areas		
INDOOR PROTECTED	OUTDOOR ENCLOSED	OUTDOOR EXPOSED
14 m ²	9 m ²	5 m ²

MODEL	RUNNING COST*	POWER	CURRENT	DIMENSIONS (WxDxH)mm	NETT WEIGHT	LEAD LENGTH	PLUG
THY 2200	55c / hr	2200 Watts	9.2 amps	1068x120x90	6 kgs	1 m	Yes

*Running costs based on \$0.25/kWh. Product is suitable for connection to a standard 240V/10amp GPO.

Mounting Options



MOUNTING HEIGHTS:		PART NO.	EXT. POLES
MINIMUM HEIGHT	2.1M	THHAC - 024	2 x 300mm
RECOMMENDED HEIGHT	2.3M - 2.5M	THHAC - 025	2 x 600mm
MAXIMUM HEIGHT	3.0M	THHAC - 026	2 x 900mm
		THHAC - 027	2x1200mm
		FLUSH MOUNT KIT	
		PART NO.	THYAC - 047

Materials of Construction

Heater: Anodised alloy casing and end caps with powder coated hexagon grille with IPX5 protection from water ingress from all directions.

HEATSTRIP® INTENSE Portable Electric Heater (THY2200P)



Attractive hexagonal shaped grille.



Robust stand construction, DIY assembly.



Instantaneous, carbon-filament element.

The new HEATSTRIP Intense Portable Electric heater is an attractive portable outdoor heating solution, providing high output, instant heat. Model THY2200P, 2200 Watts

FEATURES

- Ideal for indoor and outdoor use. In-built wheels for easy portability and storage
- Heater includes a high performance carbon filament electric infra-red element, providing instant heat
- Components are sub-assembled for easy final DIY installation, with a fully concealed power cable.
- High quality, robust, all-black construction, with new hexagonal heater grille
- 2-year residential and 1-year commercial warranty

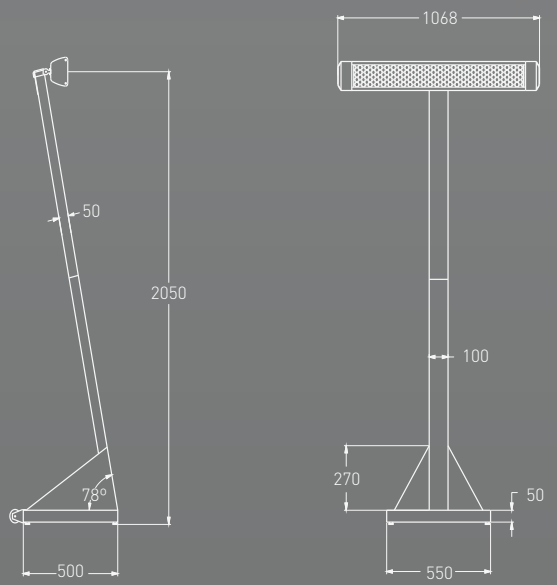
Heatstrip INTENSE Heating Areas		
INDOOR PROTECTED	OUTDOOR ENCLOSED	OUTDOOR EXPOSED
14 m ²	9 m ²	5 m ²

Materials of Construction
 Heater: Black anodised alloy casing & end caps, powder coated grille.
 Stand: Black Powder coated mild steel IPX5 Rated

MODEL	RUNNING COST*	POWER	CURRENT	DIMENSIONS (WxDxH)mm	NETT WEIGHT	LEAD LENGTH	PLUG
THY2200P	55c / hr	2200 Watts	9.2 amps	1068x2050x500	20 kgs	3 m	Yes

*Running costs based on \$0.25/kWh. Product is suitable for connection to a standard 240V/10amp GPO.

THY 2200P Dimensions



*All measurements are in (mm)