

D. R. DISTRIBUTION

The Heating Specialists

RADIANT OUTDOOR HEATING

Radiant heaters use the oldest form of heating known to man. Just as the sun's rays heat the earth, so our radiant heaters use this same method of heating objects (the earth, people, buildings etc) rather than the air between them for effective performance.

FEATURES

- Heats like the Sun
- Radiant heat passes through the air and heats solid objects making it highly efficient wherever it's installed.
- Instant heat; No waiting around for the heat to be experienced & cutting the cost of outdoor heating overall.
- Silent running; With no moving parts, the heaters are silent when operating, making them perfect where noise would otherwise be a problem.
- Low capital cost; With a highly focused beam of heat, these heaters allow you to select fewer heaters, but place them exactly where the heating need is –cutting capital costs.

CXD RANGE

These radiant heaters transmit infra-red energy that is converted into heat when it is absorbed by objects which in turn then begins to warm the surrounding areas as surface temperatures rise.

Using long-wave infra-red technology, these radiant heaters use ceramic elements to radiate heat with no distracting light output. Perfect where robust radiant heating is required,

- these heaters can be mounted inside or outside giving a localised "zone" of heat.
- Offered in vertical (2 x elements stacked) or horizontal (2 x elements side to side) formats,
- these 2kW models are ideal "people" heaters.

CXD CONSTRUCTION

- Matt black powder coated steel case with electro chemically brightened aluminium reflector and fitted chromium plate mild steel guard.

CXD ELEMENTS

Ceramic encased aluminium heating element giving heat without visible glow.



D. R. DISTRIBUTION

The Heating Specialists

MODEL

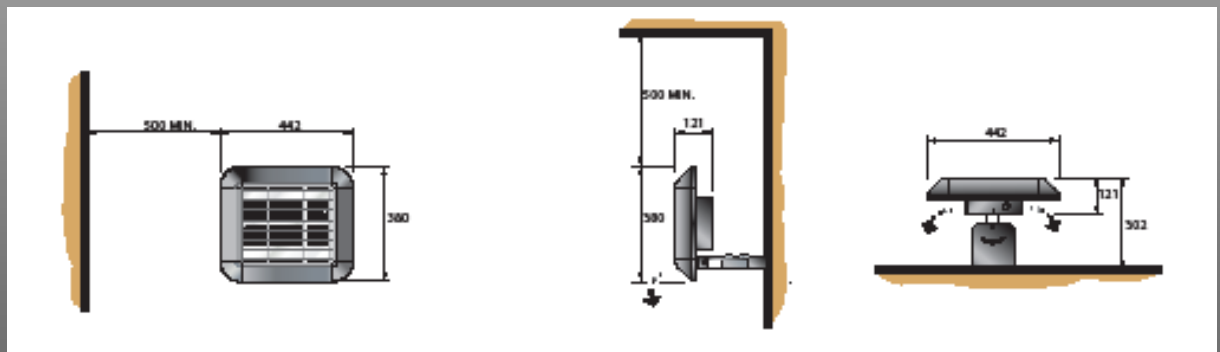
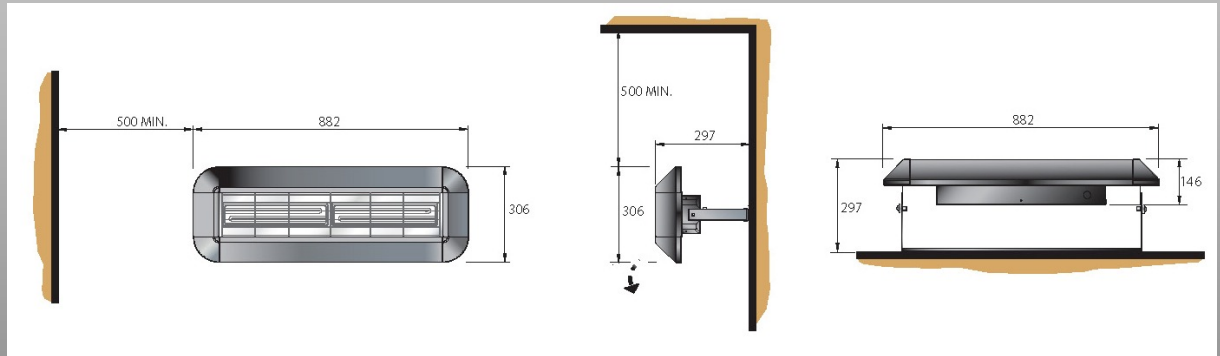
- Heat Output • 2.0kW
- No. Elements • 2
- Approvals • CE, IPX4
- Colour • Black
- Dimensions (HxWxD) • 255x735x122
- Minimum Height • 1.8m
- Recommended Height • 2.0m
- Heat throw at 2m high • 2.0m
- Heat spread at 2m high • 1.4m

CXD2000H

MODEL

- Heat Output • 2.0kW
- No. Elements • 2
- Approvals • CE, IPX4
- Colour • Black
- Dimensions (HxWxD) • 380x442x121
- Minimum Height • 1.8m
- Recommended Height • 2.0m
- Heat throw at 2m high • 1.8m
- Heat spread at 2m high • 1.3m

CXD2000V



D. R. Distribution Pty. Ltd.

A.B.N.42 055448952 A.C.N.055448952

Phone (02) 9618 3842 Fax (02) 9829 2603

Unit 9 No 3 Lancaster St Ingleburn NSW 2565 P.O.Box 568 Ingleburn NSW 1890

www.drdistribution.com.au